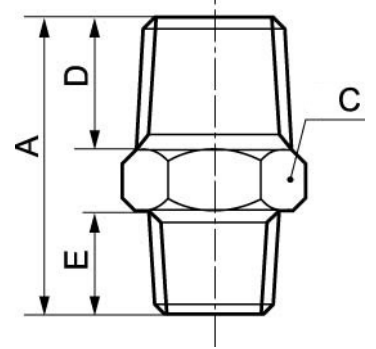


FITTING ADAPTORS - REDUCERS

Male union - A2



Min/max operating pressure

0 / 218 psi

Part number	Male thread	Net weight (Kg)	Dim. A (inch)	Dim. C (inch)	Dim. D (inch)	Dim. E (inch)
A2 1818	R1/8	0,009	0.83	0.47	0.31	8
A2 1814	R1/8; R1/4	0,016	0.94	0.55	0.43	8
A2 1414	R1/4	0,018	1.06	0.55	0.43	11
A2 1438	R1/4; R3/8	0,023	1.1	0.67	0.45	11
A2 1412	R1/2; R1/4	0,036	1.26	0.87	0.55	11
A2 3838	R3/8	0.024	1.14	0.67	0.45	11.5
A2 3812	R3/8; R1/2	0.051	1.28	0.87	0.55	11.5
A2 1212	R1/2	0.04	1.38	0.87	0.55	14
A2 1234	G3/8; G1/2	0,068	1.46	1.06	0.65	14
A2 3401	R3/4; R1	0,108	1.67	1.34	0.75	16.5
A2 250250	NPT1/8	0.01				
A2 250251	NPT1/4	0.01				
A2 250252	NPT3/8	0.01				
A2 251251	NPT1/4	0.01				
A2 251252	NPT1/4; NPT3/8	0.01				
A2 252252	NPT3/8	0.01				
A2 252253	NPT1/2; NPT3/8	0.01				
A2 253253	NPT1/2	0				
A2 253254	NPT1/2; NPT3/4	0.01				
A2 254254	NPT3/4	0.01				
A2 254255	NPT1; NPT3/4	0.01				
A2 255255	NPT1	0.01				